

## Tempergussfittings EN 10242

Rohrdoppelnippel

Anschweißnippel, Muffen

Malleable fittings, pipe nipple

Welding nipple, sockets

					
Nr. 1 - G4	Nr. 1a - D4	Nr. 2 - G1	Nr. 2a - D1	Nr. 3 - G8	Nr. 40 - G4/45°
					
Nr. 41 - G1/45°	Nr. 90 - A1	Nr. 92 - A4	Nr. 94	Nr. 95 - UA1	Nr. 96 - UA11
					
Nr. 97 - UA2	Nr. 98 - UA12	Nr. 120 - A1/45°	Nr. 121 - A4/45°	Nr. 130 - B1	Nr. 131 - E1
					
Nr. 132 - E2	Nr. 133	Nr. 134	Nr. 135	Nr. 165	Nr. 180 - C1
					
Nr. 220	Nr. 221 - Za1	Nr. 223 - Za2	Nr. 240 - M2	Nr. 241 - N4	Nr. 245 - N8
					
Nr. 246 - M4	Nr. 270 - M2	Nr. 280 - N8	Nr. 290 - T9	Nr. 291 - T8	Nr. 300 - T1
					
Nr. 310 - P4	Nr. 330 - U1	Nr. 331 - U2	Nr. 340 - U11	Nr. 341 - U12	Nr. 344
					
Nr. 471	Nr. 529a- M4	Nr. 23	Nr. 23a	Nr. 16	Nr. 16D



STEELTREU – Bahnhofstraße 22 – D-88149 Nonnenhorn

Tel.: 0049 – 8382 – 279-219 – 0 Email: [sales@steeltreu.com](mailto:sales@steeltreu.com) [www.steeltreu.com](http://www.steeltreu.com)

Nr. 1 - G4

Langer Bogen 90° I x A  
schwarz  
Long sweep bend 90° F x M  
black



Abmessung  
Dimension

R 1/4"

R 3/8"

R 1/2"

R 3/4"

R 1"

R 1 1/4"

R 1 1/2"

R 2"

R 2 1/2"

Nr. 1a - D4

Kurzer Bogen 90° I x A  
schwarz  
Short bend 90° F x M  
black



Abmessung  
Dimension

R 1/2"

R 3/4"

R 1"

R 1 1/4"

R 1 1/2"

R 2"

R 2 1/2"

Nr. 1 - G4

Langer Bogen 90° I x A  
verzinkt  
Long sweep bend 90° F x M  
galvanized



Abmessung  
Dimension

R 1/4"

R 3/8"

R 1/2"

R 3/4"

R 1"

R 1 1/4"

R 1 1/2"

R 2"

R 2 1/2"

R 3"

R 4"

Nr. 1a - D4

Kurzer Bogen 90° I x A  
verzinkt  
Short bend 90° F x M  
galvanized



Abmessung  
Dimension

R 1/4"

R 3/8"

R 1/2"

R 3/4"

R 1"

R 1 1/4"

R 1 1/2"

R 2"

R 2 1/2"

Nr. 2 - G1

Langer Bogen 90° I x I  
schwarz  
Long sweep bend 90° F x F  
black



Abmessung  
Dimension

R 1/4"

R 1/2"

R 3/4"

R 1"

R 1 1/4"

R 1 1/2"

R 2"

R 2 1/2"

R 3"

Nr. 2 - G1

Langer Bogen 90° I x I  
verzinkt  
Long sweep bend 90° F x F  
galvanized



Abmessung  
Dimension

R 1/4"

R 3/8"

R 1/2"

R 3/4"

R 1"

R 1 1/4"

R 1 1/2"

R 2"


R 2 1/2"

R 3"

R 4"

Nr. 2 - G1

Langer Bogen 90° I x I  
verzinkt  
Long sweep bend 90° F x F  
galvanized




Abmessung  
Dimension

- R 1/4"
- R 3/8"
- R 1/2"
- R 3/4"
- R 1"
- R 1 1/4"
- R 1 1/2"
- R 2"
- R 2 1/2"
- R 3"
- R 4"

Nr. 3 - G8

Langer Bogen 90° A x A  
schwarz  
Long sweep bend 90° M x M  
black




Abmessung  
Dimension

- R 3/8"
- R 1/2"
- R 1 1/2"
- R 2"

Nr. 2a - D1

Kurzer Bogen 90° I x I  
schwarz  
Short bend 90° F x F  
black




Abmessung  
Dimension

- R 1/2"
- R 3/4"
- R 1"
- R 1 1/4"
- R 1 1/2"
- R 2"

Nr. 3 - G8

Langer Bogen 90° A x A  
verzinkt  
Long sweep bend 90° M x M  
galvanized



Abmessung  
Dimension

- R 3/8"
- R 1/2"
- R 3/4"
- R 1"
- R 1 1/4"
- R 1 1/2"
- R 2"
- R 2 1/2"

Nr. 2a - D1

Kurzer Bogen 90° I x I  
schwarz  
Short bend 90° F x F  
black




Abmessung  
Dimension

- R 1/2"
- R 3/4"
- R 1"
- R 1 1/4"
- R 1 1/2"
- R 2"

Nr. 40 - G4/45°

Langer Bogen 45° I x A  
schwarz  
Long sweep bend 45° F x M  
black



Abmessung  
Dimension

- R 1/4"
- R 3/8"
- R 1/2"
- R 3/4"
- R 1"
- R 1 1/4"
- R 1 1/2"
- R 2"
- R 2 1/2"

Nr. 40 - G4/45°

Langer Bogen 45° I x A  
verzinkt  
Long sweep bend 45° F x M  
galvanized



Abmessung  
Dimension

R 1/4"

R 3/8"

R 1/2"

R 3/4"

R 1"

R 1 1/4"

R 1 1/2"

R 2"

R 2 1/2"

R 3"

R 4"

NR. 85

Überspringbogen I x I  
verzinkt  
Crossover F x F, galvanized



Abmessung  
Dimension

R 1/2"

R 3/4"

Nr. 90 - A1

Winkel 90° I x I schwarz  
Elbow 90° F x F black



Abmessung  
Dimension

R 1/8"

R 1/4"

R 3/8"

R 1/2"

R 3/4"

R 1"

R 1 1/4"

R 1 1/2"

R 2"

R 2 1/2"

R 3"

R 4"

Nr. 41 - G1/45°

Langer Bogen 45° I x I  
schwarz  
Long sweep bend 45° F x F  
black



Abmessung  
Dimension

R 1/2"

R 3/4"

R 1"

R 1 1/4"

R 1 1/2"

R 2"

Nr. 41 - G1/45°

Langer Bogen 45° I x I  
verzinkt  
Long sweep bend 45° F x F  
galvanized



Abmessung  
Dimension

R 3/8"

R 1/2"

R 3/4"

R 1"

R 1 1/4"

R 1 1/2"

R 2"

R 2 1/2"

R 3"

R 4"

Nr. 90 - A1

Winkel 90° I x I verzinkt  
Elbow 90° F x F galvanized



Abmessung  
Dimension

R 1/8"

R 1/4"

R 3/8"

R 1/2"

R 3/4"

R 1"

R 1 1/4"

R 1 1/2"

R 2"

R 2 1/2"

R 3"

R 4"

Nr. 92 - A4

Winkel 90° I x A schwarz  
Elbow 90° F x M black



Abmessung  
Dimension

R 1/8"

R 1/4"

R 3/8"

R 1/2"

R 3/4"

R 1"

R 1 1/4"

R 1 1/2"

R 2"

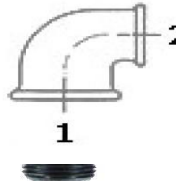
R 2 1/2"

R 3"

R 4"




Nr. 90 - A1/red.  
Winkel 90° reduziert I x I schwarz  
Elbow reducing 90° F x F black  
galvanized




Abmessung Dimension
R 1/2" x 3/8"
R 3/4" x 1/2"
R 1" x 1/2"
R 1" x 3/4"
R 1 1/4" x 1/2"
R 1 1/4" x 3/4"
R 1 1/4" x 1"
R 1 1/2" x 1"
R 1 1/2" x 1 1/4"
R 2" x 1"
R 2" x 1 1/4"
R 2" x 1 1/2"
R 2 1/2" x 2"

Nr. 92 - A4  
Winkel 90° I x A verzinkt  
Elbow 90° F x M galvanized  
Crossover F x F, galvanized



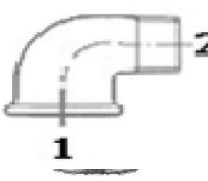
Abmessung Dimension
R 1/8"
R 1/4"
R 3/8"
R 1/2"
R 3/4"
R 1"
R 1 1/4"
R 1 1/2"
R 2"
R 2 1/2"
R 3"
R 4"
R 1/4"
R 3/8"

Nr. 90 - A1  
Winkel 90° I x I schwarz  
Elbow 90° F x F black



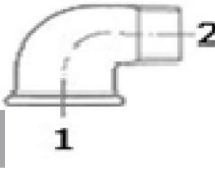
Abmessung Dimension
R 3/4"
R 1"
R 1 1/4"
R 1 1/2"
R 2"
R 2 1/2"
R 3"
R 4"
R 1/4"
R 3/8"

Nr. 92 - A4/red.  
Winkel 90° reduziert I x A schwarz  
Elbow reducing 90° F x M black  
galvanized




Abmessung Dimension
R 1/2" x 3/8"
R 3/4" x 1/2"
R 1" x 3/4"
R 1 1/4" x 1"
R 1 1/2" x 1 1/4"
R 1 1/2"

Nr. 92 - A4/red.  
Winkel 90° reduziert I x A schwarz  
Elbow reducing 90° F x M black



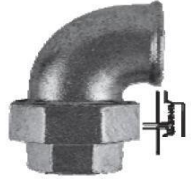
Abmessung Dimension
R 1/2" x 3/8"
R 1" x 3/4"

Nr. 94  
Winkel 90° A x A, schwarz  
Elbow 90° M x M, black  
Langer Bogen 45° verzinkt  
Long sweep bend galvanized




Abmessung Dimension
R 1/2"
R 3/4"
R 1"
R 1 1/4"
R 1 1/2"
R 2"
R 1/2"

Nr. 95 - UA1  
Winkerverschraubung 90° flach dichtend I x I schwarz  
Union elbow 90° flat seat F x F black




Abmessung Dimension
R 1/2"
R 3/4"
R 1"
R 1 1/4"
R 1 1/2"
R 2"
R 1 1/4"
R 1 1/2"
R 2"

Nr. 94  
Winkel 90° A x A, verzinkt  
Elbow 90° M x M, galvanized




Abmessung Dimension
R 1/2"
R 3/4"
R 1"
R 1 1/4"
R 1 1/2"
R 2"

Nr. 95 - UA1  
Winkerverschraubung 90° flach dichtend I x I verzinkt  
Union elbow 90° flat seat F x F galvanized



Nr. 92 - A4

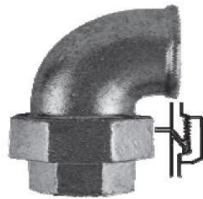


Abmessung Dimension	Abmessung Dimension
R 3/8"	R 1/8"
R 1/2"	R 1/4"
R 3/4"	R 3/8"
R 1"	R 1/2"
R 1 1/4"	R 3/4"
R 1 1/2"	R 1"
R 2"	R 1 1/4"
	R 1 1/2"
	R 2"
	R 2 1/2"
	R 3"
	R 4"



Nr. 96 - UA11

Winkelverschraubung 90°  
konisch dichtend I x I  
schwarz  
Union elbow 90° taper seat  
F x F black



Abmessung  
Dimension

R 3/8"

R 1/2"

R 3/4"

R 1"

R 1 1/4"

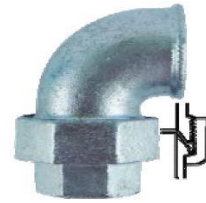
R 1 1/2"

R 2"

R 2 1/2"

Nr. 96 - UA11

Winkelverschraubung 90°  
konisch dichtend I x I  
verzinkt  
Union elbow 90° taper seat  
F x F galvanized



Abmessung  
Dimension

R 1/4"

R 1/2"

R 3/4"

R 1"

R 1 1/4"

R 1 1/2"

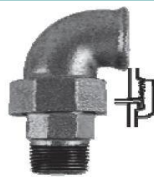
R 2"

R 2 1/2"

R 3"

Nr. 97 - UA2

Winkelverschraubung 90°  
flach dichtend I x A schwarz  
Union elbow 90° flat seat  
F x M black



Abmessung  
Dimension

R 1/2"

R 3/4"

R 1"

R 1 1/4"

R 1 1/2"

R 2"

Nr. 98 - UA12

Winkelverschraubung 90°  
konisch dichtend I x A  
schwarz  
Union elbow 90° taper seat  
F x M black



Abmessung  
Dimension

R 1/4"

R 1/2"

R 3/4"

R 1"

R 1 1/4"

R 1 1/2"

R 2"

R 2 1/2"

R 3"

Nr. 97 - UA2

Winkelverschraubung 90°  
flach dichtend I x A verzinkt  
Union elbow 90° flat seat  
F x M galvanized



Abmessung  
Dimension

R 3/8"

R 1/2"

R 3/4"

R 1"

R 1 1/4"

R 1 1/2"

R 2"

Nr. 98 - UA12

Winkelverschraubung 90°  
konisch dichtend I x A  
verzinkt  
Union elbow 90° taper seat  
F x M galvanized



Abmessung  
Dimension

R 1/4"

R 3/8"

R 1/2"

R 3/4"

R 1"

R 1 1/4"

R 1 1/2"

R 2"

R 2 1/2"

R 3"

Nr. 120 - A1/45°

Winkel 45° I x I schwarz  
Elbow 45° F x F black



Abmessung  
Dimension

R 3/8"

R 1/2"

R 3/4"

R 1"

R 1 1/4"

R 1 1/2"

R 2"

R 2 1/2"

Nr. 121 - A4/45°

Winkel 45° I x A verzinkt  
Elbow 45° F x M galvanized

Abmessung  
Dimension

R 3/8"

R 1/2"

R 3/4"

R 1"

R 1 1/4"

R 1 1/2"

R 2"



Nr. 130 - B1

T-Stück I x I x I schwarz  
Tee equal F x F x F black

Abmessung  
Dimension

R 1/8"

R 1/4"

R 3/8"

R 1/2"

R 3/4"

R 1"

R 1 1/4"

R 1 1/2"

R 2"

R 2 1/2"

R 3"

R 4"



Nr. 120 - A1/45°

Winkel 45° I x I verzinkt  
Elbow 45° F x F galvanized

Abmessung  
Dimension

R 3/8"

R 1/2"

R 3/4"

R 1"

R 1 1/4"

R 1 1/2"

R 2"

R 2 1/2"

R 3"

R 4"



Nr. 121 - A4/45°

Winkel 45° I x A schwarz  
Elbow 45° F x M black

Abmessung  
Dimension

R 3/8"

R 1/2"

R 3/4"

R 1"

R 1 1/4"

R 1 1/2"

R 2"



Nr. 121 - A4/45°

Winkel 45° I x A schwarz  
Elbow 45° F x M black

Abmessung  
Dimension

R 3/8"

R 1/2"

R 3/4"

R 1"

R 1 1/4"

R 1 1/2"

R 2"



Nr. 130 - B1

T-Stück I x I x I verzinkt  
Tee equal F x F x F galvanized

Abmessung  
Dimension

R 1/8"

R 1/4"

R 3/8"

R 1/2"

R 3/4"

R 1"

R 1 1/4"

R 1 1/2"

R 2"

R 2 1/2"

R 3"

R 4"



Nr. 131 - E1

Bogen-T-Stück reduziert  
I x I x I, verzinkt  
Pitcher tee reducing  
F x F x F, galvanized

Abmessung  
Dimension

R 1 1/2"x3/4"x1 1/2"



Nr. 132 - E2

Doppelbogen T-Stück  
I x I x I, schwarz  
Twin bend tee equal  
F x F x F, black

Abmessung  
Dimension

R 3/4"



Nr. 132 - E2

Doppelbogen T-Stück  
I x I x I, verzinkt  
Twin bend tee equal  
F x F x F, galvanized

Abmessung  
Dimension

R 1/2"

R 3/4"

R 1 1/4"

R 1 1/2"

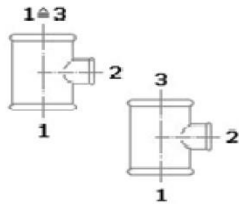
R 2"



Nr. 130 - B1/red.

T-Stück Abgang reduziert  
oder vergrößert | x | x |  
schwarz

Tee reducing or increasing  
F x F x F black



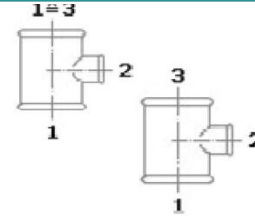
Abmessung  
Dimension

R 3/8" x 1/2" x 3/8"
R 1/2" x 1/4" x 1/2"
R 1/2" x 3/8" x 3/8"
R 1/2" x 3/8" x 1/2"
R 1/2" x 3/4" x 1/2"
R 1/2" x 1" x 1/2"
R 3/4" x 1/4" x 3/4"
R 3/4" x 1/2" x 1/2"
R 3/4" x 1/2" x 3/4"
R 3/4" x 3/4" x 1/2"
R 3/4" x 1" x 3/4"
R 1" x 1/4" x 1"
R 1" x 1/2" x 1/2"
R 1" x 3/8" x 1"
R 1" x 1/2" x 3/4"
R 1" x 1/2" x 1"
R 1" x 3/4" x 3/4"
R 1" x 3/4" x 1"
R 1" x 1" x 1/2"
R 1" x 1" x 3/4"
R 1 1/4" x 1/2" x 1 1/4"
R 1 1/4" x 3/4" x 1 1/4"
R 1 1/4" x 1" x 1 1/4"
R 1 1/2" x 1/2" x 1 1/2"
R 1 1/2" x 3/4" x 1 1/2"
R 1 1/2" x 1" x 1 1/2"
R 1 1/2" x 1 1/4" x 1 1/2"
R 1 1/2" x 1 1/2" x 1/2"
R 1 1/2" x 1 1/2" x 3/4"
R 2" x 1/2" x 2"
R 2" x 3/4" x 2"
R 2" x 1" x 2"
R 2" x 1 1/4" x 2"
R 2" x 1 1/2" x 2"
R 2" x 2" x 3/4"
R 2 1/2" x 1 1/2" x 2 1/2"

Nr. 130 - B1/red.

T-Stück Abgang reduziert  
oder vergrößert | x | x |  
verzinkt

Tee reducing or increasing  
F x F x F galvanized



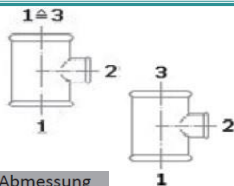
Abmessung  
Dimension

R 3/8" x 1/4" x 3/8"
R 1/2" x 1/4" x 1/2"
R 1/2" x 3/8" x 3/8"
R 1/2" x 3/8" x 1/2"
R 1/2" x 1/2" x 3/8"
R 1/2" x 3/4" x 1/2"
R 1/2" x 1" x 1/2"
R 3/4" x 3/8" x 3/4"
R 3/4" x 1/2" x 1/2"
R 3/4" x 1/2" x 3/4"
R 3/4" x 3/4" x 1/2"
R 3/4" x 1" x 3/4"
R 1" x 1/4" x 1"
R 1" x 3/8" x 1"
R 1" x 1/2" x 1/2"
R 1" x 1/2" x 3/4"
R 1" x 1/2" x 1"
R 1" x 3/4" x 3/4"
R 1" x 3/4" x 1"
R 1" x 1" x 1/2"
R 1" x 1" x 3/4"
R 1" x 1 1/4" x 1"
R 1" x 1 1/2" x 1"
R 1 1/4" x 1/2" x 1 1/4"
R 1 1/4" x 3/4" x 1 1/4"
R 1 1/4" x 1" x 1"
R 1 1/4" x 1" x 1 1/4"
R 1 1/4" x 1 1/4" x 1/2"
R 1 1/4" x 1 1/4" x 3/4"
R 1 1/4" x 1 1/4" x 1"
R 1 1/2" x 1/2" x 1 1/2"
R 1 1/2" x 3/4" x 1 1/2"
R 1 1/2" x 1" x 1 1/2"
R 1 1/2" x 1 1/4" x 1 1/4"
R 1 1/2" x 1 1/4" x 1/2"
R 1 1/2" x 1 1/2" x 3/4"
R 1 1/2" x 1 1/2" x 1"
R 2" x 1/2" x 2"
R 2" x 3/4" x 2"

Nr. 130 - B1/red.

T-Stück Abgang reduziert  
oder vergrößert | x | x |  
verzinkt

Tee reducing or increasing  
F x F x F galvanized



Abmessung  
Dimension

R 2" x 1" x 2"
R 2" x 1 1/4" x 2"
R 2" x 1 1/2" x 1 1/2"
R 2" x 1 1/2" x 2"
R 2 1/2" x 1 1/2" x 2 1/2"
R 2 1/2" x 1" x 2 1/2"
R 2 1/2" x 1 1/4" x 2 1/2"
R 2 1/2" x 1 1/2" x 2 1/2"
R 2 1/2" x 2" x 2 1/2"
R 3" x 1/2" x 3"
R 3" x 1" x 3"
R 3" x 1 1/2" x 3"
R 3" x 2" x 3"
R 3" x 2 1/2" x 3"
R 4" x 1 1/2" x 4"
R 4" x 2" x 4"
R 4" x 2 1/2" x 4"
R 4" x 3" x 4"

Nr. 131 - E1

Bogen-T-Stück | x | x |  
schwarz  
Pitcher tee equal F x F x F  
black



Abmessung  
Dimension

R 1"

Nr. 131 - E1

Bogen-T-Stück | x | x |  
verzinkt  
Pitcher tee equal F x F x F  
galvanized



Abmessung  
Dimension

R 1/2"  
R 1 1/4"  
R 1 1/2"  
R 2"



Nr. 133

T-Stück mit AG-Abgang  
I x A x I, schwarz  
Tee with male thread  
disposal, F x M x F, black



Abmessung  
Dimension

R 1"

Nr. 133

T-Stück mit AG-Abgang  
I x A x I, verzinkt  
Tee with male thread  
disposal, F x M x F,  
galvanized



Abmessung  
Dimension

R 3/8"  
R 1/2"  
R 1"

Nr. 134

T-Stück mit einseitigem  
Außengewinde, I x I x A  
schwarz  
Tee with male thread  
on one side, F x F x M  
black



Abmessung  
Dimension

R 2"

Nr. 165

T-Stück 45° I x I x I  
schwarz  
Tee equal 45°  
F x F x F, black



Abmessung  
Dimension

R 3/4"  
R 1 1/4"

Nr. 134

T-Stück mit einseitigem  
Außengewinde, I x I x A  
verzinkt  
Tee with male thread  
on one side, F x F x M  
galvanized



Abmessung  
Dimension

R 1/2"  
R 3/4"  
R 1"  
R 1 1/4"  
R 1 1/2"  
R 2"

Nr. 135

T-Stück mit Außengewinde  
A x A x A, schwarz  
Tee equal with male thread  
M x M x M, black



Abmessung  
Dimension

R 1"

Nr. 135

T-Stück mit Außengewinde  
A x A x A, schwarz  
Tee equal with male thread  
M x M x M, black



Abmessung  
Dimension

R 1"

Nr. 180 - C1

Kreuzstück schwarz  
Cross equal black



Abmessung  
Dimension

R 1/4"  
R 3/8"  
R 1/2"  
R 3/4"  
R 1"  
R 1 1/4"  
R 1 1/2"  
R 2"  
R 2 1/2"

Nr. 180 - C1

Kreuzstück verzinkt  
Cross equal galvanized



Abmessung  
Dimension

R 1/4"  
R 3/8"  
R 1/2"  
R 3/4"  
R 1"  
R 1 1/4"  
R 1 1/2"  
R 2"  
R 2 1/2"  
R 3"

Nr. 220

Gabelstücke 90° I x I x I  
verzinkt  
Y-piece F x F x F, galvanized




Abmessung  
Dimension

R 3/8"  
R 1/2"  
R 3/4"  
R 1"



Nr. 221 - Za1

Winkelverteiler I x I x I  
schwarz  
Side outlet elbow F x F x F  
black




Abmessung  
Dimension

R 1"

Nr. 180 - C1/red.

Kreuzstück reduziert  
schwarz  
Cross reducing black




Abmessung  
Dimension

R 3/4" x 1/2"  
R 1" x 1/2"  
R 1" x 3/4"

Nr. 221 - Za1

Winkelverteiler I x I x I  
verzinkt  
Side outlet elbow F x F x F  
galvanized




Abmessung  
Dimension

R 1/2"  
R 3/4"  
R 1"  
R 1 1/2"  
R 2"

Nr. 180 - C1/red.

Kreuzstück reduziert  
verzinkt  
Cross reducing galvanized




Abmessung  
Dimension

R 3/4" x 1/2"  
R 1" x 1/2"  
R 1" x 3/4"  
R 2" x 1"

Nr. 220

Gabelstücke 90° I x I x I  
schwarz  
Y-piece F x F x F, black




Abmessung  
Dimension

R 3/8"  
R 1/2"  
R 3/4"

Nr. 223 - Za2

T-Verteiler I x I x I x I  
verzinkt  
Side outlet tee F x F x F x F  
galvanized




Abmessung  
Dimension

R 1/2"  
R 3/4"  
R 1"

Nr. 240 - M2

Muffe reduziert I x I schwarz  
Socket reducing F x F black



Abmessung  
Dimension

R 3/8" x 1/4"  
R 1/2" x 1/4"  
R 1/2" x 3/8"  
R 3/4" x 1/4"  
R 3/4" x 3/8"  
R 3/4" x 1/2"  
R 1 x 3/8"  
R 1 x 1/2"  
R 1" x 3/4"  
R 1 1/4" x 1/2"  
R 1 1/4" x 3/4"  
R 1 1/4" x 1"  
R 1 1/2" x 1/2"  
R 1 1/2" x 3/4"  
R 1 1/2" x 1"  
R 1 1/2" x 1 1/4"  
R 2" x 1/2"  
R 2" x 1"  
R 2" x 1 1/4"  
R 2" x 1 1/2"  
R 2 1/2" x 1"  
R 2 1/2" x 2"  
R 3" x 1 1/2"  
R 3" x 2"  
R 3" x 2 1/2"  
R 4" x 2"  
R 4" x 2 1/2"  
R 4" x 3"

Nr. 240 - M2

Muffe reduziert I x I verzinkt  
Socket reducing F x F  
galvanized



Abmessung  
Dimension

R 3/8" x 1/4"  
R 1/2" x 1/4"  
R 1/2" x 3/8"  
R 3/4" x 1/4"  
R 3/4" x 3/8"  
R 3/4" x 1/2"  
R 1" x 3/8"  
R 1" x 1/2"  
R 1" x 3/4"  
R 1 1/4" x 1/2"  
R 1 1/4" x 3/4"  
R 1 1/4" x 1"  
R 1 1/2" x 1/2"  
R 1 1/2" x 3/4"  
R 1 1/2" x 1"  
R 1 1/2" x 1 1/4"  
R 2" x 1/2"  
R 2" x 3/4"  
R 2" x 1"  
R 2" x 1 1/4"  
R 2" x 1 1/2"  
R 2 1/2" x 1"  
R 2 1/2" x 1 1/4"  
R 2 1/2" x 1 3/2"  
R 2 1/2" x 2"  
R 3" x 1 1/2"  
R 3" x 2"  
R 3" x 2 1/2"  
R 4" x 2"  
R 4" x 2 1/2"  
R 4" x 3"



Nr. 241 - N4

Reduzierstück A x I schwarz  
Reducing bush M x F black

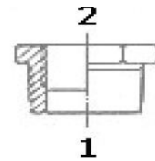


**Abmessung  
Dimension**

- R 1/4" x 1/8"
- R 3/8" x 1/8"
- R 3/8" x 1/4"
- R 1/2" x 1/8"
- R 1/2" x 1/4"
- R 1/2" x 3/8"
- R 3/4" x 1/4"
- R 3/4" x 3/8"
- R 3/4" x 1/2"
- R 1" x 1/4"
- R 1" x 3/8"
- R 1" x 1/2"
- R 1" x 3/4"
- R 1 1/4" x 3/8"
- R 1 1/4" x 1/2"
- R 1 1/4" x 3/4"
- R 1 1/4" x 1"
- R 1 1/2" x 1/2"
- R 1 1/2" x 3/4"
- R 1 1/2" x 1"
- R 1 1/2" x 1 1/4"
- R 2" x 1/2"
- R 2" x 3/4"
- R 2" x 1"
- R 2" x 1 1/4"
- R 2" x 1 1/2"
- R 2 1/2" x 1"
- R 2 1/2" x 1 1/4"
- R 2 1/2" x 1 1/2"
- R 2 1/2" x 2"
- R 3" x 1 1/4"
- R 3" x 1 1/2"
- R 3" x 2"
- R 3" x 2 1/2"
- R 4" x 2"
- R 4" x 2 1/2"
- R 4" x 3"

Nr. 241 - N4

Reduzierstück A x I verzinkt  
Reducing bush M x F  
galvanized



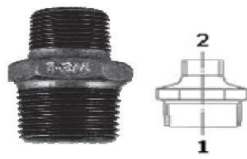
**Abmessung  
Dimension**

- R 1/4" x 1/8"
- R 3/8" x 1/8"
- R 3/8" x 1/4"
- R 1/2" x 1/8"
- R 1/2" x 1/4"
- R 1/2" x 3/8"
- R 3/4" x 1/4"
- R 3/4" x 3/8"
- R 3/4" x 1/2"
- R 1" x 1/4"
- R 1" x 3/8"
- R 1" x 1/2"
- R 1" x 3/4"
- R 1 1/4" x 3/8"
- R 1 1/4" x 1/2"
- R 1 1/4" x 3/4"
- R 1 1/4" x 1"
- R 1 1/2" x 3/8"
- R 1 1/2" x 1/2"
- R 1 1/2" x 3/4"
- R 1 1/2" x 1"
- R 1 1/2" x 1 1/4"
- R 2" x 1/2"
- R 2" x 3/4"
- R 2" x 1"
- R 2" x 1 1/4"
- R 2" x 1 1/2"
- R 2 1/2" x 1"
- R 2 1/2" x 1 1/4"
- R 2 1/2" x 1 1/2"
- R 2 1/2" x 2"
- R 3" x 1 1/4"
- R 3" x 1 1/2"
- R 3" x 2"
- R 3" x 2 1/2"
- R 4" x 2"
- R 4" x 2 1/2"
- R 4" x 3"



Nr. 245 - N8

Doppelnippel reduziert  
A x A schwarz  
Hexagon nipple reducing  
M x M black



**Abmessung  
Dimension**

- R 3/8" x 1/4"
- R 1/2" x 1/4"
- R 1/2" x 3/8"
- R 3/4" x 1/4"
- R 3/4" x 3/8"
- R 3/4" x 1/2"
- R 1" x 1/2"
- R 1" x 3/4"
- R 1 1/4" x 1/2"
- R 1 1/4" x 3/4"
- R 1 1/4" x 1"
- R 1 1/2" x 3/4"
- R 1 1/2" x 1"
- R 1 1/2" x 1 1/4"
- R 2" x 1"
- R 2" x 1 1/4"
- R 2" x 1 1/2"
- R 2 1/2" x 2"
- R 3" x 2"
- R 3" x 2 1/2"
- R 4" x 3"

Nr. 245 - N8

Doppelnippel reduziert  
A x A verzinkt  
Hexagon nipple reducing  
M x M galvanized



**Abmessung  
Dimension**

- R 1/4" x 1/8"
- R 3/8" x 1/8"
- R 3/8" x 1/4"
- R 1/2" x 1/4"
- R 1/2" x 3/8"
- R 3/4" x 1/4"
- R 3/4" x 3/8"
- R 3/4" x 1/2"
- R 1" x 1/2"
- R 1" x 3/4"
- R 1 1/4" x 1/2"
- R 1 1/4" x 3/4"
- R 1 1/4" x 1"
- R 1 1/2" x 3/4"
- R 1 1/2" x 1"
- R 1 1/2" x 1 1/4"
- R 2" x 1"
- R 2" x 1 1/4"
- R 2" x 1 1/2"
- R 2 1/2" x 1 1/2"
- R 2 1/2" x 2"
- R 3" x 2"
- R 3" x 2 1/2"
- R 4" x 3"

Nr. 246 - M4

Muffe reduziert I x A  
schwarz  
Socket reducing F x M black



**Abmessung  
Dimension**

- R 3/8" x 1/4"
- R 1/2" x 1/4"
- R 1/2" x 3/8"
- R 3/4" x 3/8"
- R 3/4" x 1/2"
- R 1" x 1/2"
- R 1" x 3/4"
- R 1 1/4" x 3/4"
- R 1 1/4" x 1"
- R 1 1/2" x 1"
- R 1 1/2" x 1 1/4"
- R 2" x 1"
- R 2" x 1 1/4"
- R 2" x 1 1/2"
- R 2 1/2" x 2"
- R 3" x 2"
- R 3" x 2 1/2"

Nr. 270 - M2

Muffe I x I schwarz  
Socket F x F black



**Abmessung  
Dimension**

- R 1/8"
- R 1/4"
- R 3/8"
- R 1/2"
- R 3/4"
- R 1"
- R 1 1/4"
- R 1 1/2"
- R 2"
- R 2 1/2"
- R 3"
- R 4"

Nr. 270 - M2

Muffe I x I verzinkt  
Socket F x F galvanized

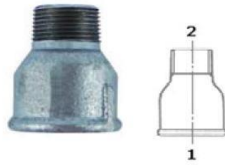


**Abmessung  
Dimension**

- R 1/8"
- R 1/4"
- R 3/8"
- R 1/2"
- R 3/4"
- R 1"
- R 1 1/4"
- R 1 1/2"
- R 2"
- R 2 1/2"
- R 3"
- R 4"

Nr. 246 - M4

Muffe reduziert I x A  
verzinkt  
Socket reducing F x M  
galvanized



Abmessung  
Dimension

R 3/8" x 1/4"

R 1/2" x 1/4"

R 1/2" x 3/8"

R 3/4" x 3/8"

R 3/4" x 1/2"

R 1" x 1/2"

R 1" x 3/4"

R 1 1/4" x 1/2"

R 1 1/4" x 3/4"

R 1 1/4" x 1"

R 1 1/2" x 3/4"

R 1 1/2" x 1"

R 1 1/2" x 1 1/4"

R 2" x 1"

R 2" x 1 1/4"

R 2" x 1 1/2"

R 2 1/2" x 2"

R 3" x 2"

R 3" x 2 1/2"

Nr. 270 - M2

Muffe I x I verzinkt  
Socket F x F galvanized



Abmessung  
Dimension

R 1/8"

R 1/4"

R 3/8"

R 1/2"

R 3/4"

R 1"

R 1 1/4"

R 1 1/2"

R 2"

R 2 1/2"

R 3"

R 4"

Nr. 280 - N8

Doppelnippel A x A schwarz  
Hexagon nipple M x M black



Abmessung  
Dimension

R 1/8"

R 1/4"

R 3/8"

R 1/2 "

R 3/4"

R 1"

R 1 1/4"

R 1 1/2"

R 2"

R 2 1/2"

R 3"

R 4"

Nr. 290 - T9

Stopfen mit Rand schwarz  
Plug beaded black



Abmessung  
Dimension

R 1/8"

R 1/4"

R 3/8"

R 1/2"

R 3/4"

R 1"

R 1 1/4"

R 1 1/2"

R 2"

R 2 1/2"

R 3"

R 4"

Nr. 280 - N8

Doppelnippel A x A verzinkt  
Hexagon nipple M x M  
galvanized



Abmessung  
Dimension

R 1/8"

R 1/4"

R 3/8"

R 1/2"

R 3/4"

R 1"

R 1 1/4"

R 1 1/2"

R 2"

R 2 1/2"

R 3"

R 4"

Nr. 290 - T9

Stopfen mit Rand verzinkt  
Plug beaded galvanized



Abmessung  
Dimension

R 1/8"

R 1/4"

R 3/8"

R 1/2"

R 3/4"

R 1"

R 1 1/4"

R 1 1/2"

R 2"

R 2 1/2"

R 3"

R 4"

Nr. 291 - T8

Stopfen ohne Rand schwarz  
Plug plain black



Abmessung  
Dimension

R 3/8"

R 1/2"

R 3/4"

R 1"

Nr. 291 - T8

Stopfen ohne Rand verzinkt  
Plug plain galvanized



Abmessung  
Dimension

R 3/8"

R 1/2"

R 3/4"

R 1"

R 1 1/2"

R 2"

Nr. 301 - T1

Kappe schwarz  
Cap black



Abmessung  
Dimension

R 3/8"

R 1/2"

R 3/4"

R 1"

R 1 1/4"

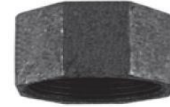
R 1 1/2"

R 2"

R 3"

Nr. 300 - T1

Kappe schwarz  
Cap black



Abmessung  
Dimension

R 1/4"

R 3/8"

R 1/2"

R 3/4"

R 1"

R 1 1/4"

R 1 1/2"

R 2"

R 2 1/2"

R 3"

R 4"

Nr. 301 - T1

Kappe verzinkt  
Cap galvanized



Abmessung  
Dimension

R 3/8"

R 1/2"

R 3/4"

R 1"

R 1 1/4"

R 1 1/2"

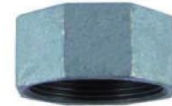
R 2"

R 2 1/2"

R 4"

Nr. 300 - T1

Kappe verzinkt  
Cap galvanized



Abmessung  
Dimension

R 1/8"

R 1/4"

R 3/8"

R 1/2"

R 3/4"

R 1"

R 1 1/4"

R 1 1/2"

R 2"

R 2 1/2"

R 3"

R 4"

Nr. 310 - P4

Gegenmutter schwarz  
Backnut black



Abmessung  
Dimension

G 3/8"

G 1/2"

G 3/4"

G 1"

G 1 1/4"

G 1 1/2"

G 2"

G 2 1/2"

G 4"



Nr. 310 - P4

Gegenmutter verzinkt  
Backnut galvanizied



Abmessung  
Dimension

G 1/4"

G 3/8"

G 1/2"

G 3/4"

G 1"

G 1 1/4"

G 1 1/2"

G 2"

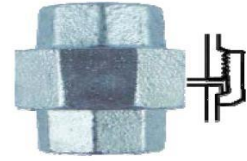
G 2 1/2"

G 3"

G 4"

Nr. 330 - U1

Verschraubung flach  
dichtend I x I verzinkt  
Union flat seat F x F  
galvanized



Abmessung  
Dimension

R 1/4"

R 3/8"

R 1/2"

R 3/4"

R 1"

R 1 1/4"

R 1 1/2"

R 2"

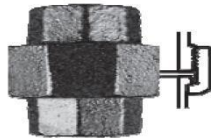
R 2 1/2"

R 3"

R 4"

Nr. 330 - U1

Verschraubung flach  
dichtend I x I schwarz  
Union flat seat F x F black



Abmessung  
Dimension

R 1/4"

R 3/8"

R 1/2"

R 3/4"

R 1"

R 1 1/4"

R 1 1/2"

R 2"

R 2 1/2"

Nr. 331 - U2

Verschraubung flach  
dichtend I x A schwarz  
Union flat seat F x M black



Abmessung  
Dimension

R 1/4"

R 3/8"

R 1/2"

R 3/4"

R 1"

R 1 1/4"

R 1 1/2"

R 2"

Nr. 331 - U2

Verschraubung flach  
dichtend I x A verzinkt  
Union flat seat F x M  
galvanized



Abmessung  
Dimension

R 1/4"

R 3/8"

R 1/2"

R 3/4"

R 1"

R 1 1/4"

R 1 1/2"

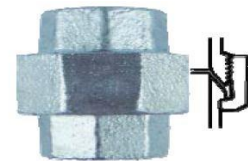
R 2"

R 2 1/2"

R 3"

Nr. 340 - U11

Verschraubung konisch  
dichtend I x I verzinkt  
Union taper seat F x F  
galvanized



Abmessung  
Dimension

R 1/4"

R 3/8"

R 1/2"

R 3/4"

R 1"

R 1 1/4"

R 1 1/2"

R 2"

R 2 1/2"

R 3"

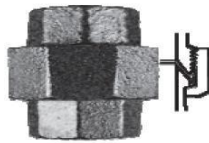
R 4"





Nr. 340 - U11

Verschraubung konisch  
dichtend I x I schwarz  
Union taper seat



Abmessung  
Dimension

R 1/4"

R 3/8"

R 1/2"

R 3/4"

R 1"

R 1 1/4"

R 1 1/2"

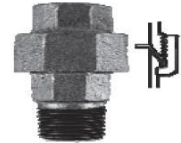
R 2"

R 2 1/2"

R 3"

Nr. 341 - U12

Verschraubung konisch  
dichtend I x A schwarz  
Union taper seat F x M black



Abmessung  
Dimension

R 1/4"

R 3/8"

R 1/2"

R 3/4"

R 1"

R 1 1/4"

R 1 1/2"

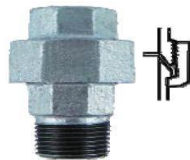
R 2"

R 2 1/2"

R 3"

Nr. 341 - U12

Verschraubung konisch  
dichtend I x A verzinkt  
Union taper seat F x M  
galvanized



Abmessung  
Dimension

R 1/4"

R 3/8"

R 1/2"

R 3/4"

R 1"

R 1 1/4"

R 1 1/2"

R 2"

R 2 1/2"

R 3"

Nr. 374 - P1

Überwurfmutter, schwarz  
Union nut, black



Abmessung  
Dimension

3/4" - G 1 1/4"

1" - G 1 1/2"

1 1/4" - G 2"

1 1/2" - G 2 1/4"

2" - G 2 3/4"

Nr. 374 - P1

Überwurfmutter, verzinkt  
Union nut, galvanized



Abmessung  
Dimension

3/4" - G 1 1/4"

1 1/4" - G 2"

2" - G 2 3/4"

Nr. 344

Verschraubung konisch  
dichtend A x A, schwarz  
Union taper seat M x M  
black



Abmessung  
Dimension

R 1/2"

R 1"

Nr. 344

Verschraubung konisch  
dichtend A x A, verzinkt  
Union taper seat M x M  
galvanized



Abmessung  
Dimension

R 1/2"

R 3/4"

R 1"

R 1 1/4"

Nr. 471

Deckenwinkel, verzinkt  
Bracket elbow, galvanized



Abmessung  
Dimension

R 1/2"

R 3/4"

R 1"

Nr. 526

Verlängerung, verzinkt  
Extension tube, galvanized



Abmessung  
Dimension

R 3/4" x 100 mm



STEELTREU – Bahnhofstraße 22 – D-88149 Nonnenhorn

Tel.: 0049 – 8382 – 279-219 – 0 Email: [sales@steeltreu.com](mailto:sales@steeltreu.com) [www.steeltreu.com](http://www.steeltreu.com)

Nr. 372

Einlegeteil flachdichtend  
schwarz  
Union end flat seat, black



Abmessung  
Dimension

R 1"

R 1 1/4"

Nr. 529a - M4

Muffe I x A verzinkt  
Socket F x M galvanized



Abmessung  
Dimension

R 3/8"

R 1/2"

R 3/4"

R 1"

R 1 1/4"

R 1 1/2"

R 2"

Nr. 529a - M4

Muffe I x A schwarz  
Socket F x M black



Abmessung  
Dimension

R 3/8"

R 1/2"

R 3/4"

R 1"

R 2"

Nr. 599a

Reguliermuffe, schwarz  
Regulation socket, black



Abmessung  
Dimension

R 3/4"

Nr. 596

Stopfen mit Innenvierkant  
verzinkt  
Plug with square inside  
galvanized



Abmessung  
Dimension

R 1"

Nr. 596

Stopfen mit Innenvierkant  
schwarz  
Plug with square inside  
black



Abmessung  
Dimension

R 1"

Nr. 531

Rohrnippel, schwarz  
Nipple, black



Abmessung  
Dimension

R 1/2"

R 3/4"

R 1"

R 1 1/4"

R 2"

R 3"

